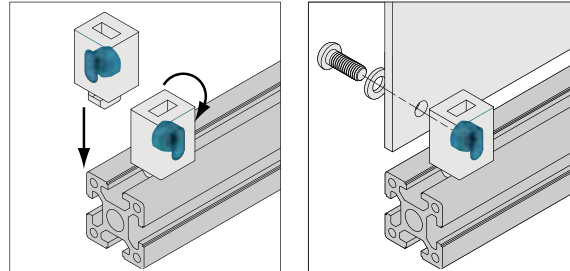


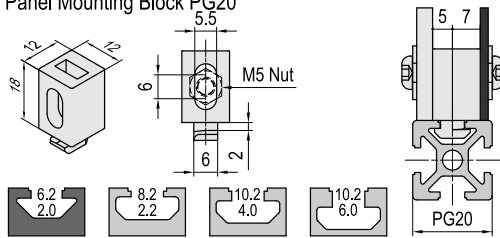
Panel Mounting Block

To attach panel to strut profile, choosing block attach face can get two different indent for various panel thickness.

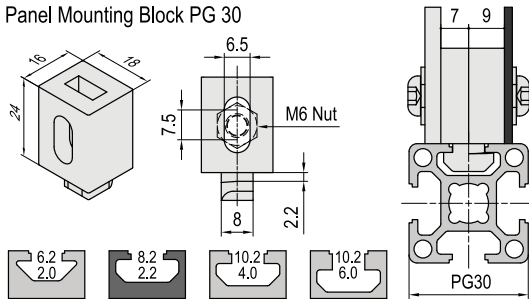
Material and Color : Block - black PP
Nut insert - zinc plated steel



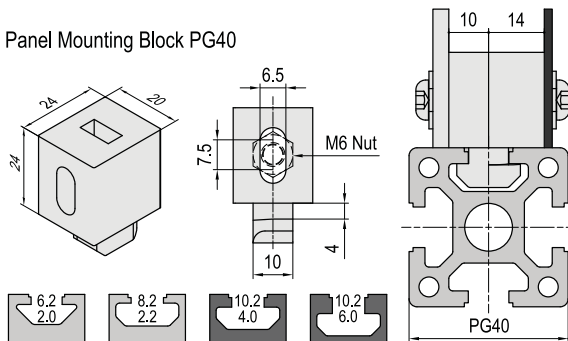
Panel Mounting Block PG20



Panel Mounting Block PG 30



Panel Mounting Block PG40



Description	Mass (g)	Part No.
Panel Mounting Block PG20	100	06.PMB.20
Panel Mounting Block PG 30	107	08.PMB.30
Panel Mounting Block PG40	111	10.PMB.40