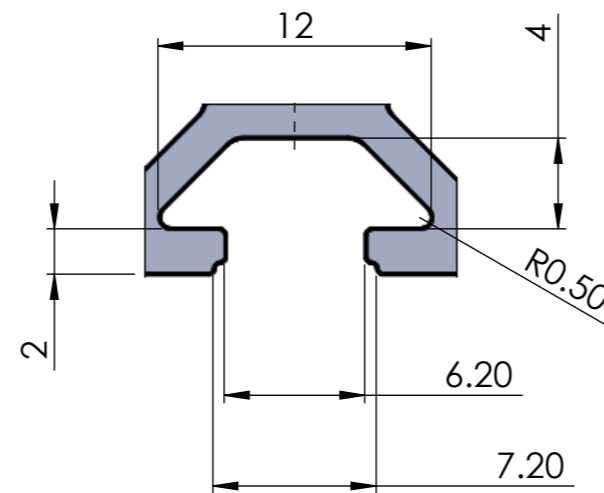
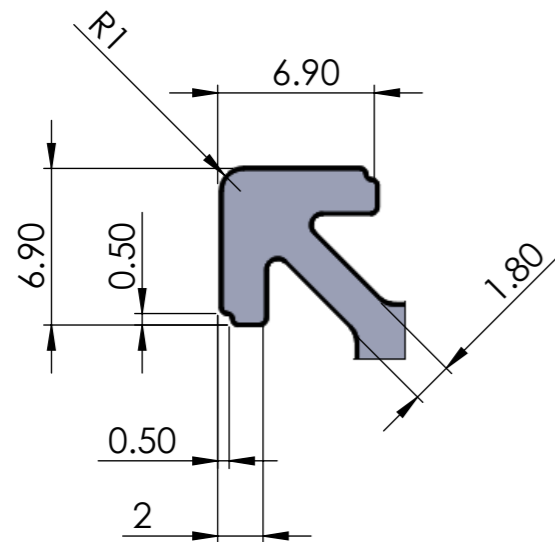
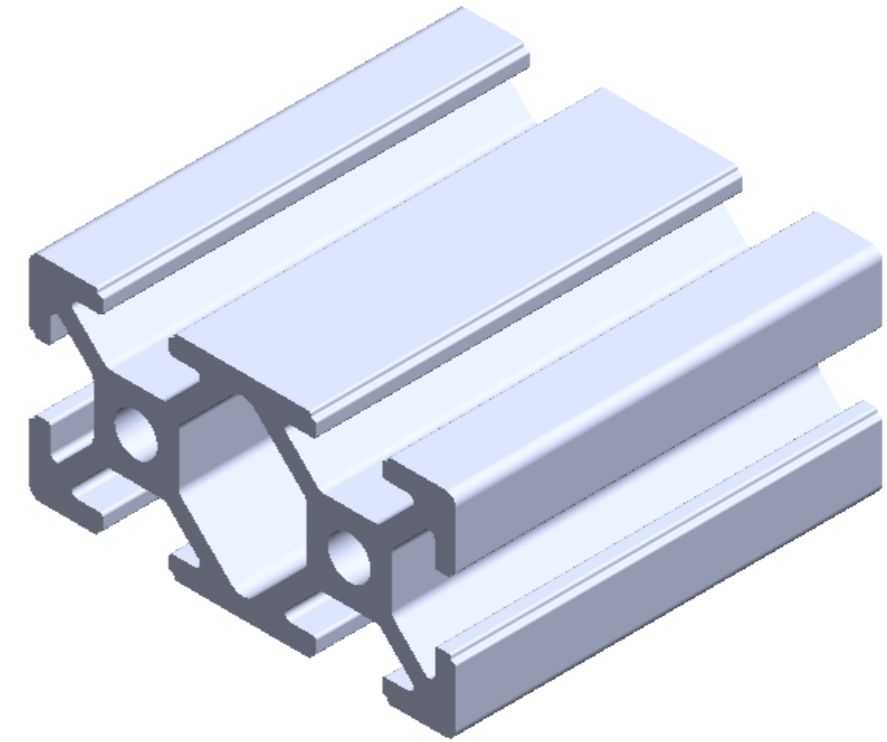
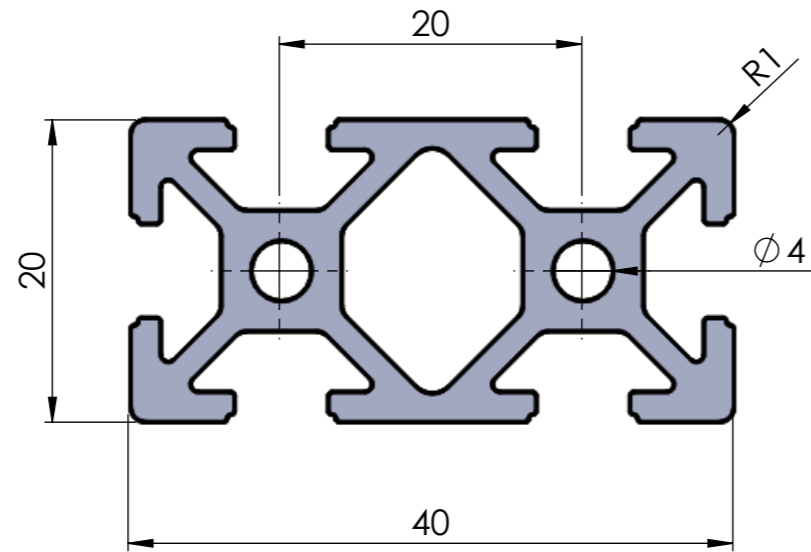


Profile Group - 20 Series

Part Code - PG 2040 S

Description - PG 20 2040 6 SLOTS



ALL DIMENSIONS ARE IN MM



SICA INDIA
www.sica.in

DATE	27-05-2016
DRAWN BY	M.S
CHECKED BY	

PART NAME PG 2040 S

DRG. NO.		MATERIAL	ALUMINIUM ALLOY 6063 T6
APPROX. WT.	0.910 kg/mtr	REVISION	

MODULAR ASSEMBLY SYSTEM	MODULAR CONVEYOR SYSTEM	ERGONOMIC WORKSTATION AND LEAN PRODUCTION SYSTEM	MACHINE GUARD AND ENCLOUSURE SYSTEM
--------------------------------	--------------------------------	---	--

LINEAR MOTION SYSTEM	CLEAN ROOM SYSTEM
-----------------------------	--------------------------