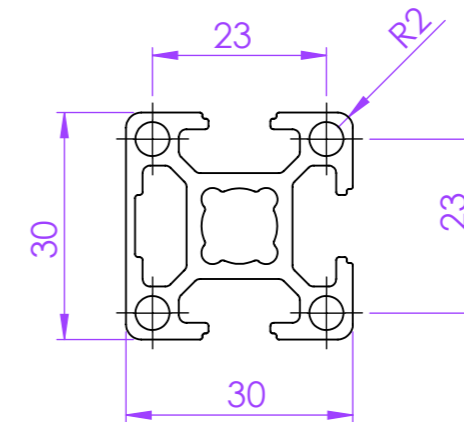
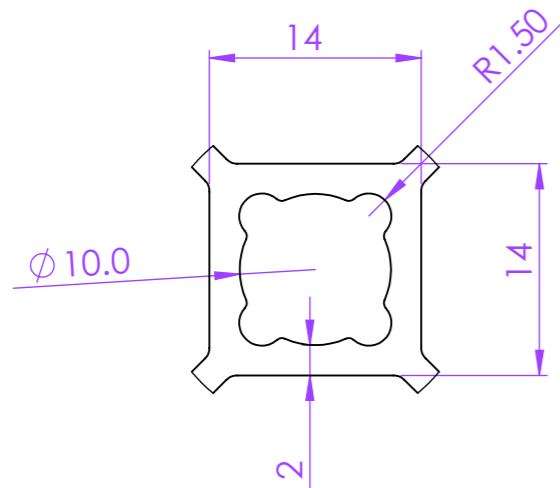
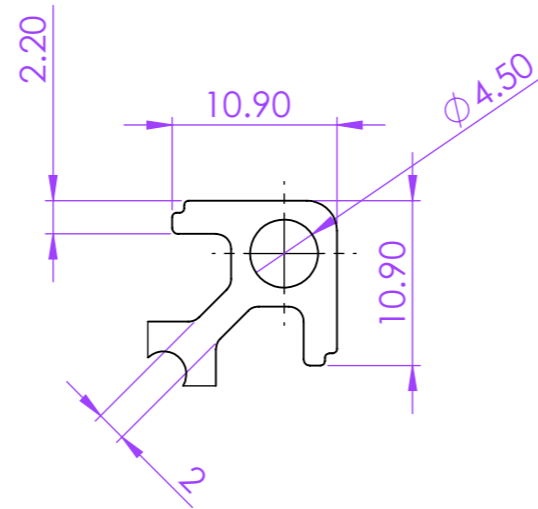
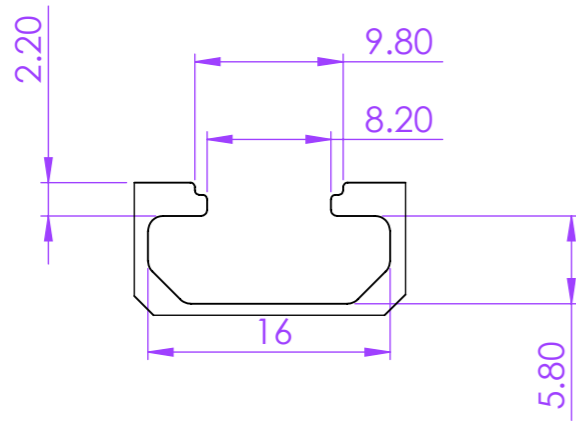
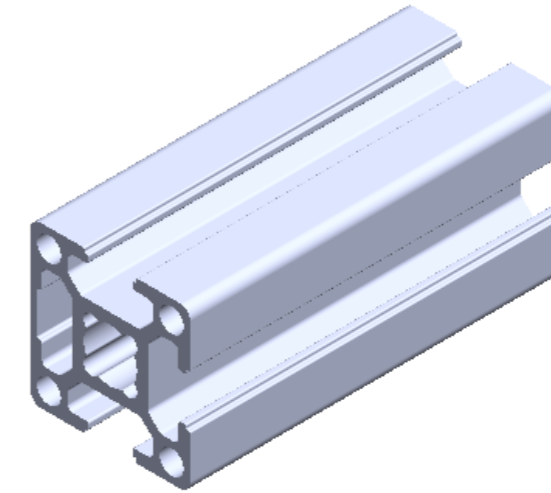


**Profile Group -** 30 Series

**Part Code -** PG30 OSC

**Description -** PG30 - 3030H  
One Side Closed



ALL DIMENSIONS  
ARE IN MM



**SICA INDIA**  
www.sica.in

DATE 01-10-2014  
DRAWN BY Praful  
CHECKED BY

**PART NAME** PG30 OSC

MODULAR  
ASSEMBLY  
SYSTEM

MODULAR  
CONVEYOR  
SYSTEM

ERGONOMIC  
WORKSTATION AND  
LEAN PRODUCTION  
SYSTEM

MACHINE GUARD  
AND  
ENCLOUSURE  
SYSTEM

LINEAR  
MOTION  
SYSTEM

CLEAN  
ROOM  
SYSTEM

DRG. NO. 4471

**MATERIAL** ALUMINIUM  
ALLOY 6063 T6

APPROX. WT. 0.880 kg/mtr

**REVISION**