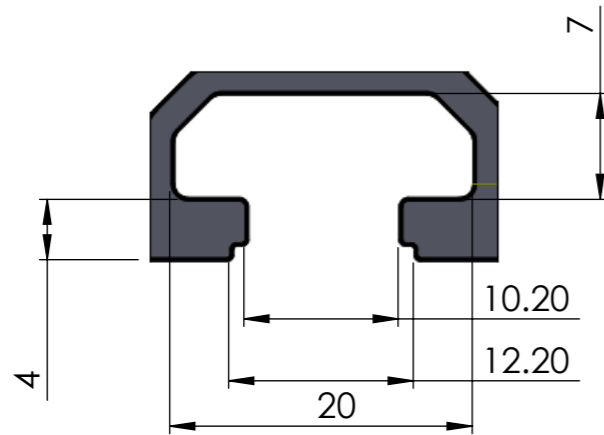
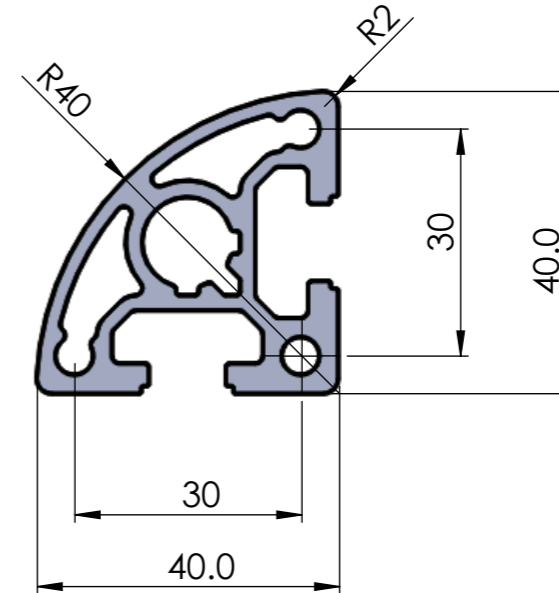
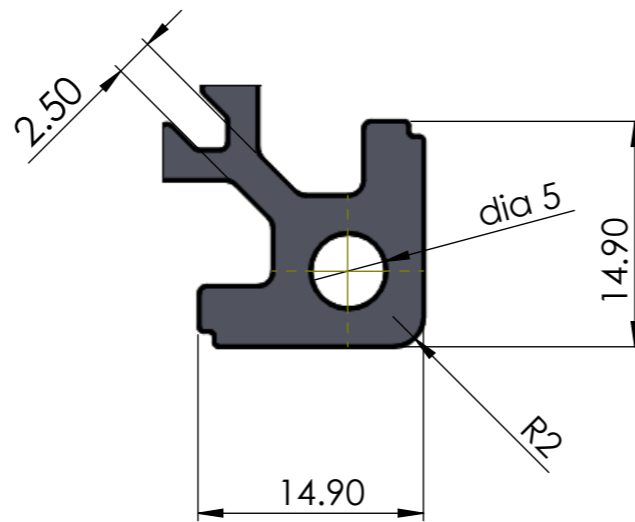
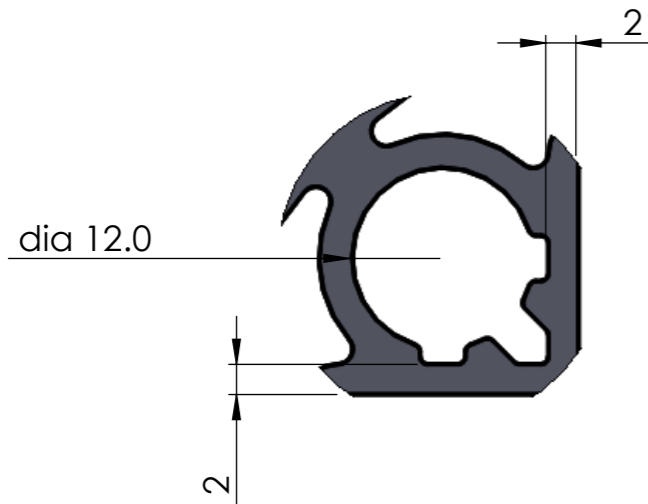
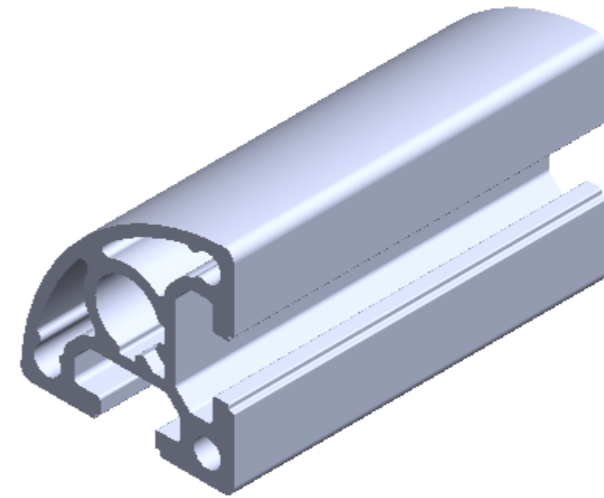


**Profile Group -** 40 Series

**Part Code -** PG40 4040R90

**Description -** PG40 - 40 x 40 R90  
2 slots



ALL DIMENSIONS  
ARE IN MM



**SICA INDIA**  
www.sica.in

DATE 09-07-2014

DRAWN BY Praful

CHECKED BY

**PART NAME**

PG40 4040R90

DRG. NO. 4464

**MATERIAL** ALUMINIUM  
ALLOY 6063 T6

APPROX. WT. 1.430 KG/M

**REVISION**

**MODULAR  
ASSEMBLY  
SYSTEM**

**MODULAR  
CONVEYOR  
SYSTEM**

**ERGONOMIC  
WORKSTATION AND  
LEAN PRODUCTION  
SYSTEM**

**MACHINE GUARD  
AND  
ENCLOUSURE  
SYSTEM**

**LINEAR  
MOTION  
SYSTEM**

**CLEAN  
ROOM  
SYSTEM**