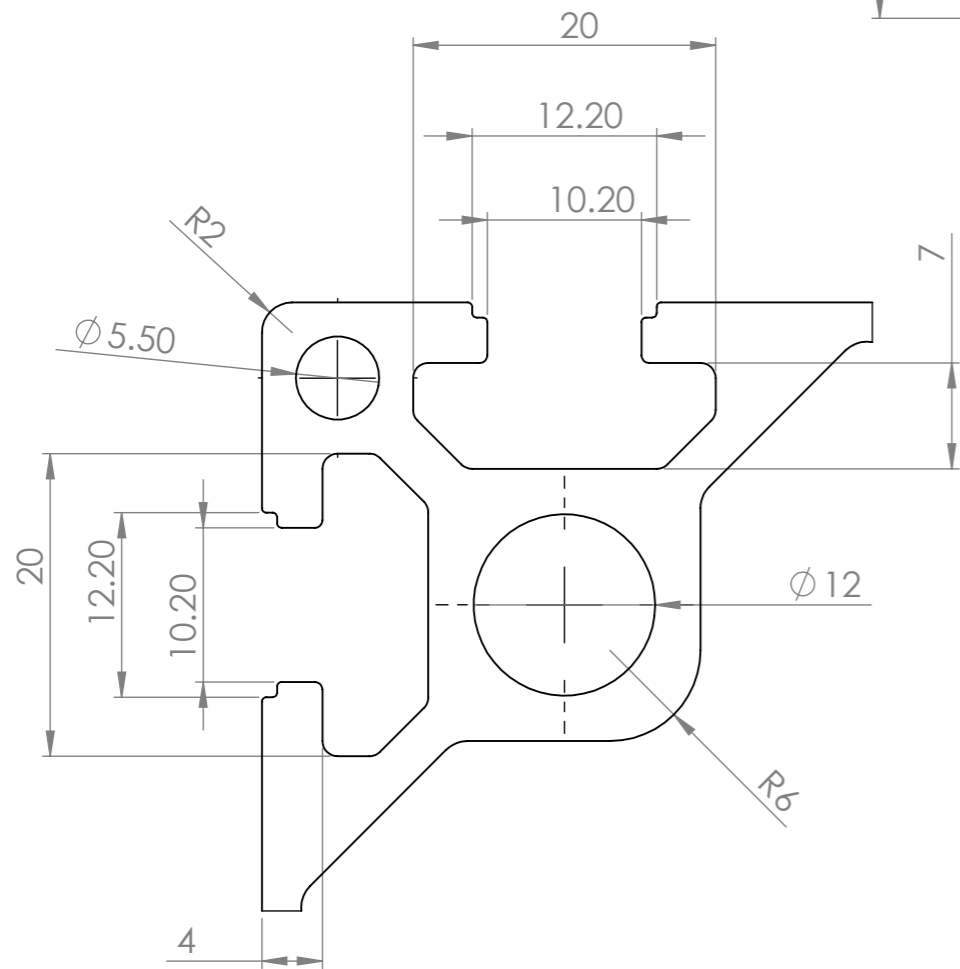
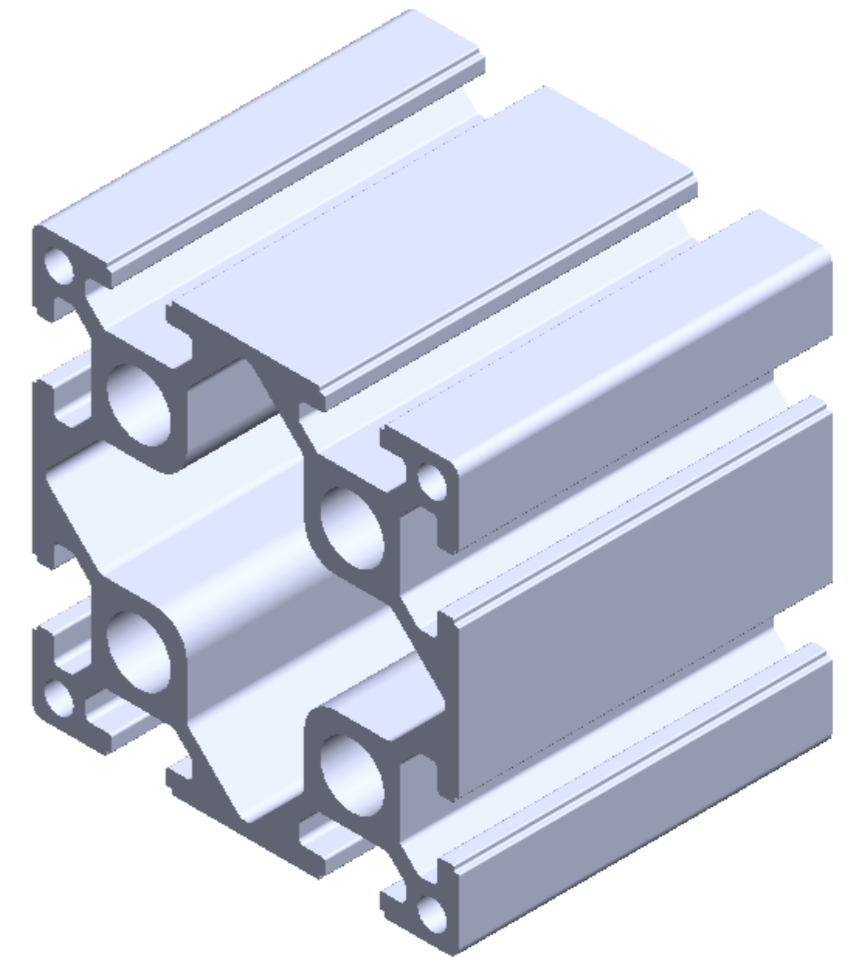
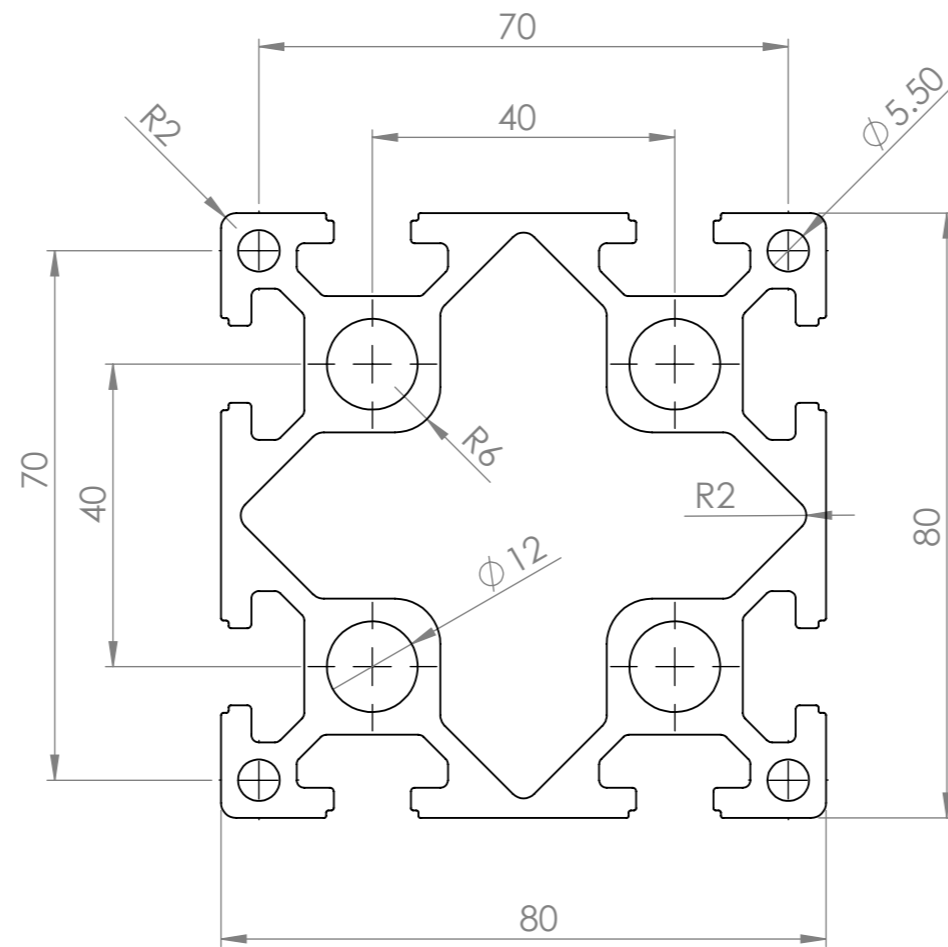


Profile Group -	40 Series
Part Code -	PG 8080 H
Description -	PG 40 - 80 x 80 8 slots



ALL DIMENSIONS
ARE IN MM



SICA INDIA
www.sica.in

DATE	31-05-2014
DRAWN BY	Praful
CHECKED BY	

PART NAME PG 8080 H

DRG. NO. 4459	MATERIAL ALUMINIUM ALLOY 6063 T6
APPROX. WT. 5.570 kg/mtr	REVISION

MODULAR ASSEMBLY SYSTEM	MODULAR CONVEYOR SYSTEM	ERGONOMIC WORKSTATION AND LEAN PRODUCTION SYSTEM	MACHINE GUARD AND ENCLOUSURE SYSTEM
--------------------------------	--------------------------------	---	--

LINEAR MOTION SYSTEM	CLEAN ROOM SYSTEM
-----------------------------	--------------------------