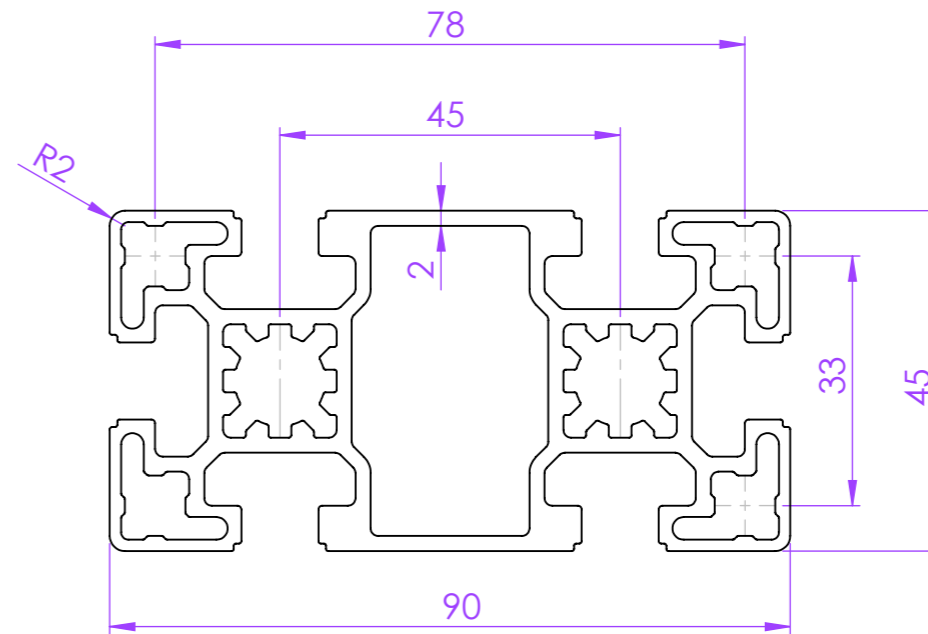
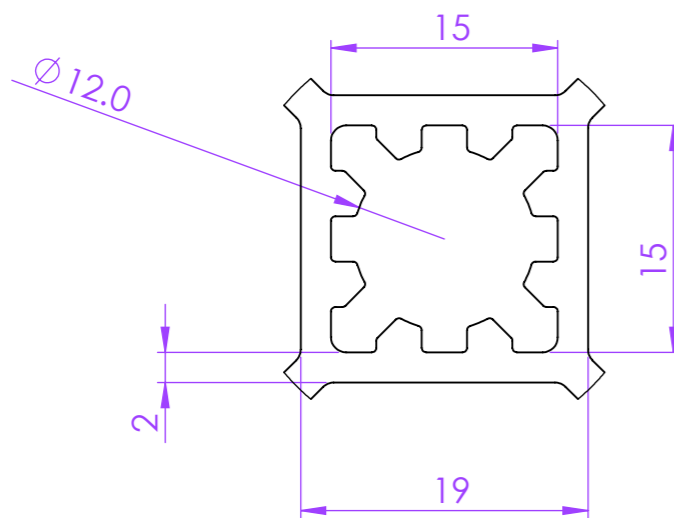
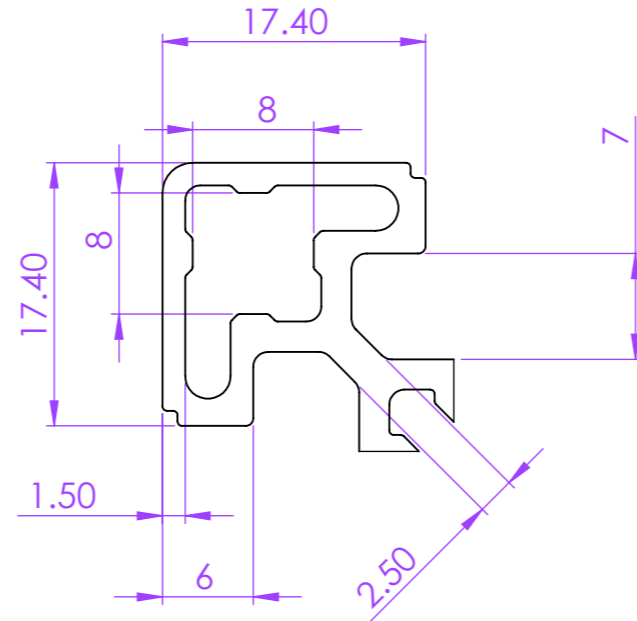
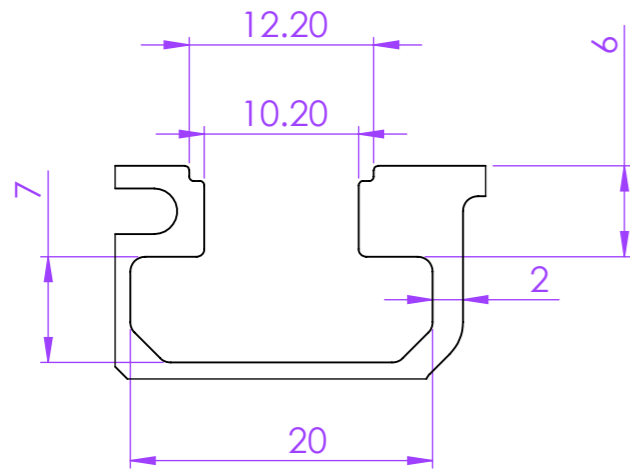
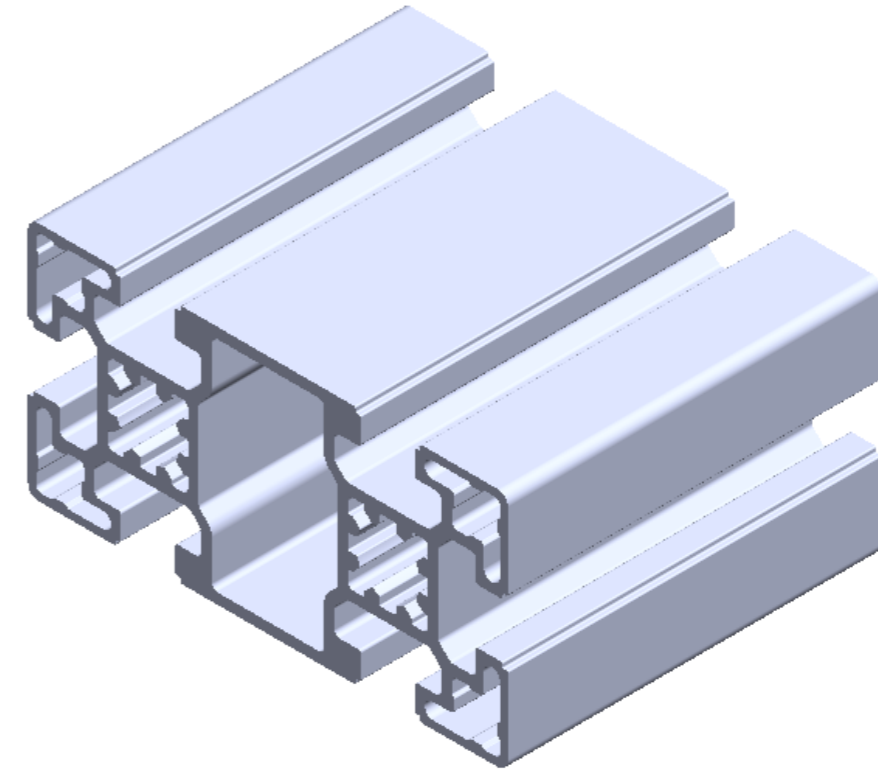


Profile Group - 45 Series

Part Code - PG 4590

Description - PG 45 - 45 x 90 6 slots



ALL DIMENSIONS ARE IN MM



SICA INDIA
www.sica.in

DATE 31-05-2014
DRAWN BY Praful
CHECKED BY

PART NAME PG 4590

MODULAR ASSEMBLY SYSTEM

MODULAR CONVEYOR SYSTEM

ERGONOMIC WORKSTATION AND LEAN PRODUCTION SYSTEM

MACHINE GUARD AND ENCLOSURE SYSTEM

LINEAR MOTION SYSTEM

CLEAN ROOM SYSTEM

DRG. NO. 4469

MATERIAL ALUMINIUM ALLOY 6063 T6

APPROX. WT. 3.035 kg/mtr

REVISION