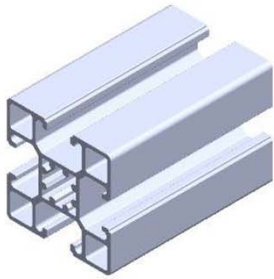
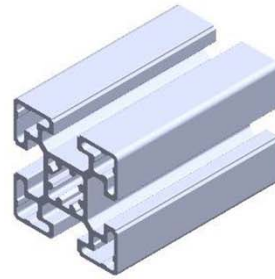


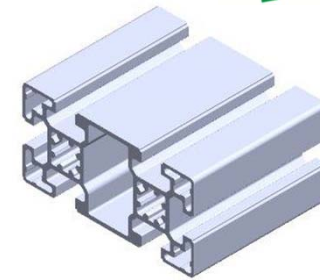
45 GROUP



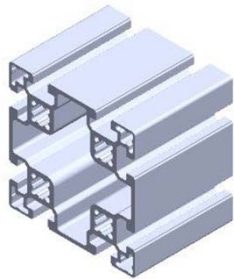
PG45 4545M



PG45 4545H



PG45 4590

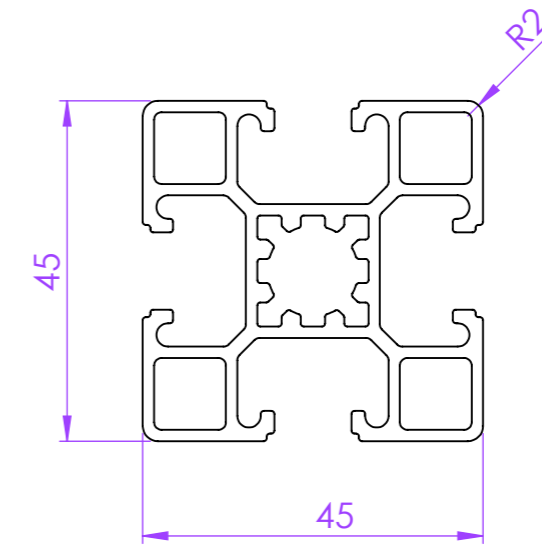
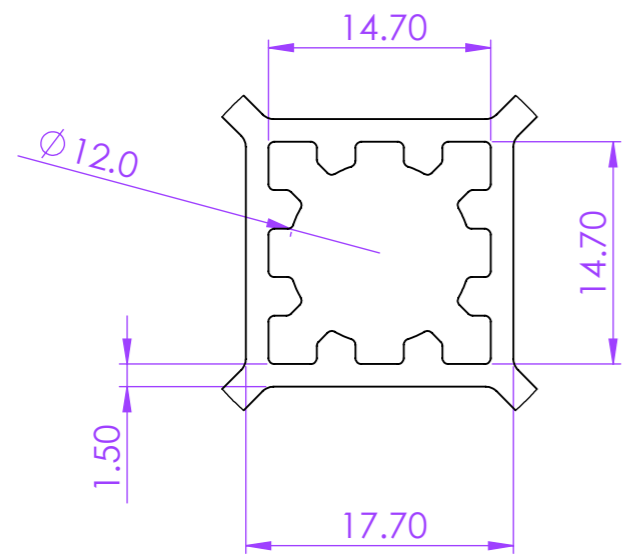
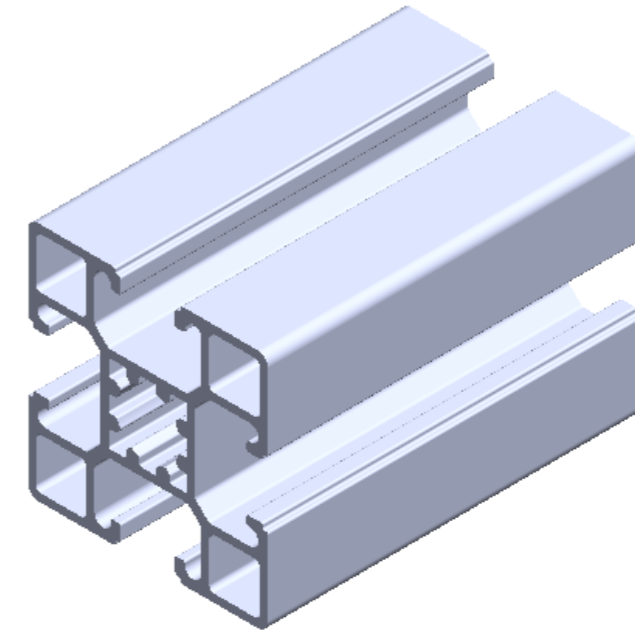
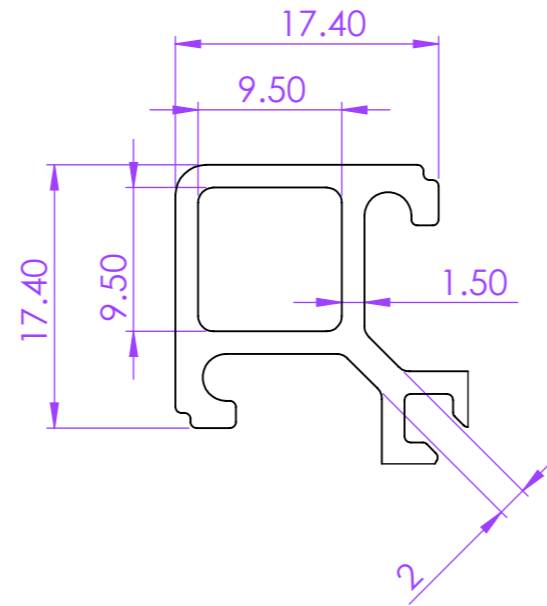
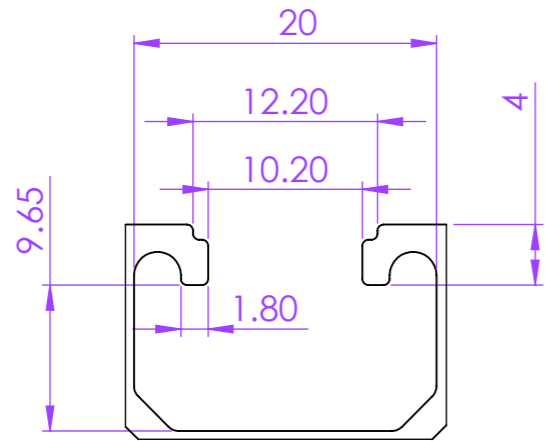


PG45 9090

Profile Group - 45 Series

Part Code - PG4545M

Description - PG 45 - 45 x 45 4 slots



ALL DIMENSIONS
ARE IN MM



SICA INDIA
www.sica.in

DATE 02-05-2015
DRAWN BY Praful
CHECKED BY

PART NAME PG4545M

DRG. NO. 4475

MATERIAL ALUMINIUM
ALLOY 6063 T6

APPROX. WT. 1.410 kg/mtr

REVISION

**MODULAR
ASSEMBLY
SYSTEM**

**MODULAR
CONVEYOR
SYSTEM**

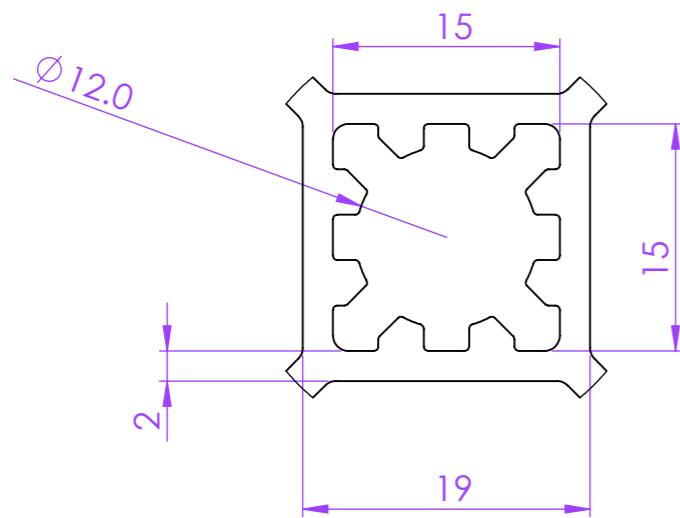
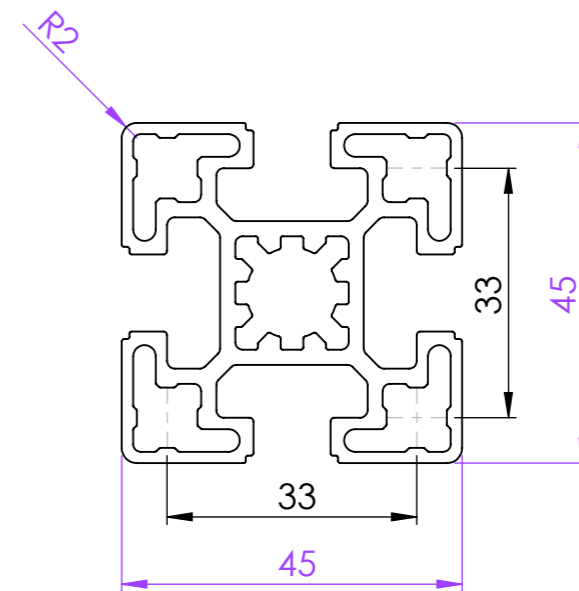
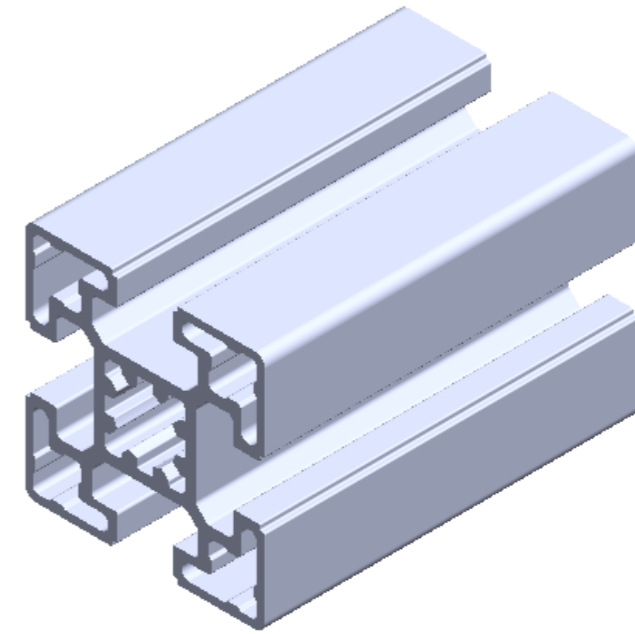
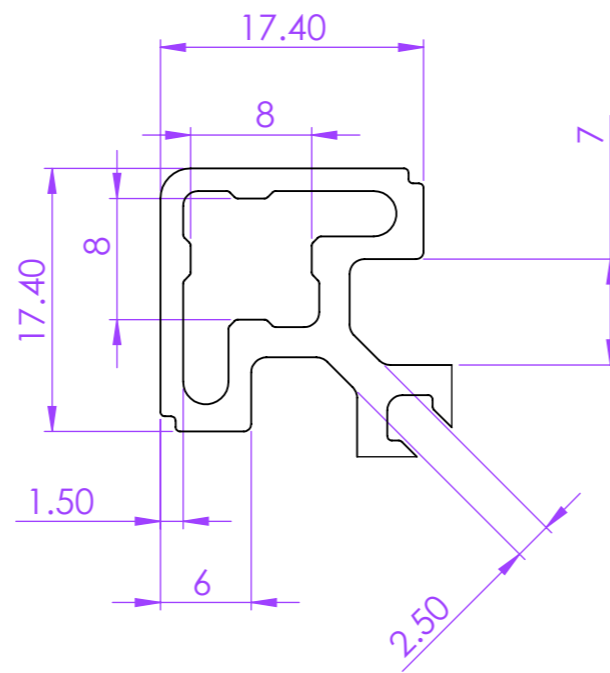
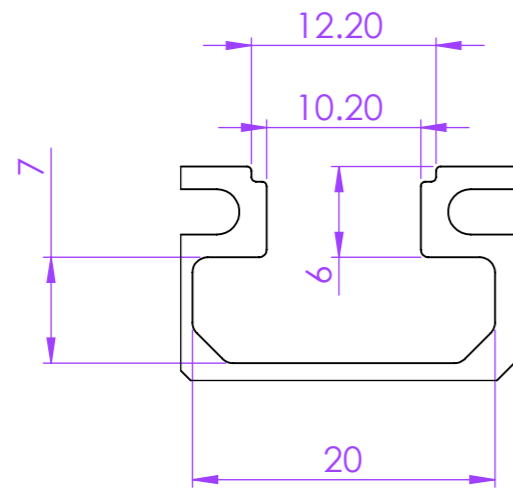
**ERGONOMIC
WORKSTATION AND
LEAN PRODUCTION
SYSTEM**

**MACHINE GUARD
AND
ENCLOUSURE
SYSTEM**

**LINEAR
MOTION
SYSTEM**

**CLEAN
ROOM
SYSTEM**

Profile Group -	45 Series
Part Code -	PG4545H
Description -	PG 45 - 45 x 45 4 slots



ALL DIMENSIONS ARE IN MM



SICA INDIA
www.sica.in

DATE	31-05-2014
DRAWN BY	Praful
CHECKED BY	

PART NAME PG4545H

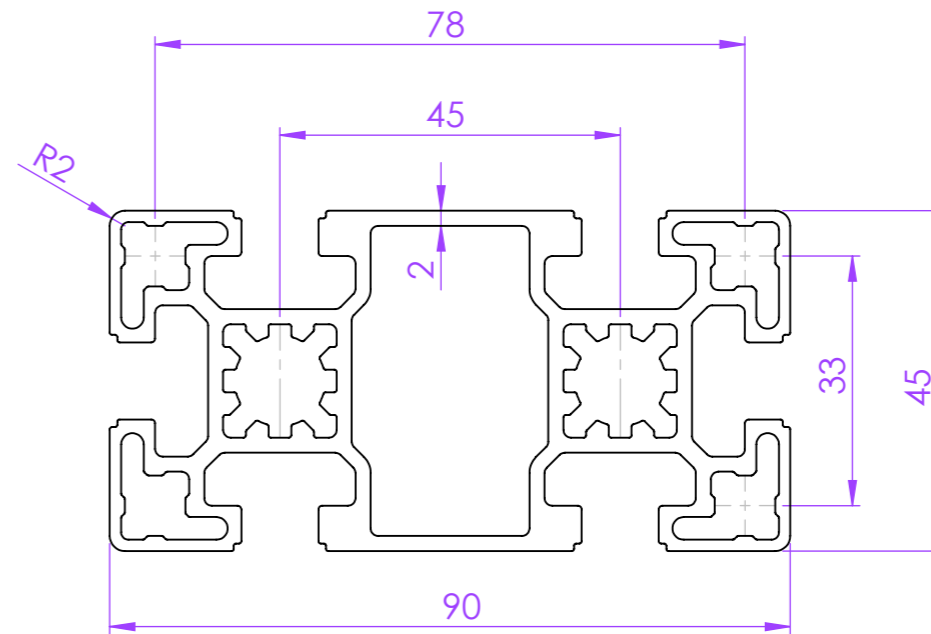
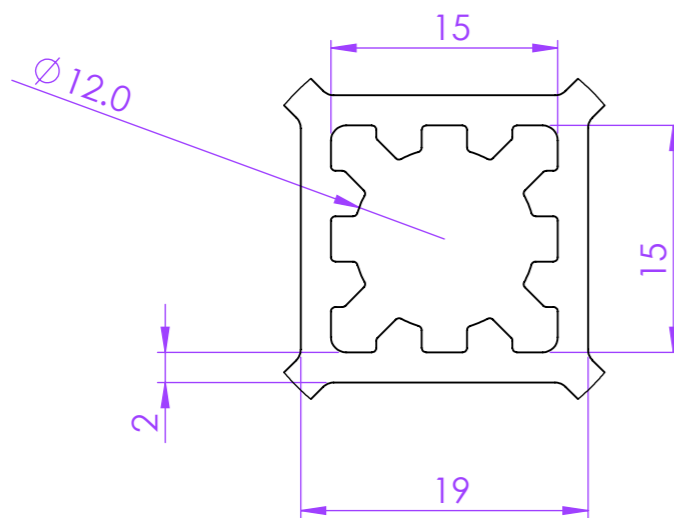
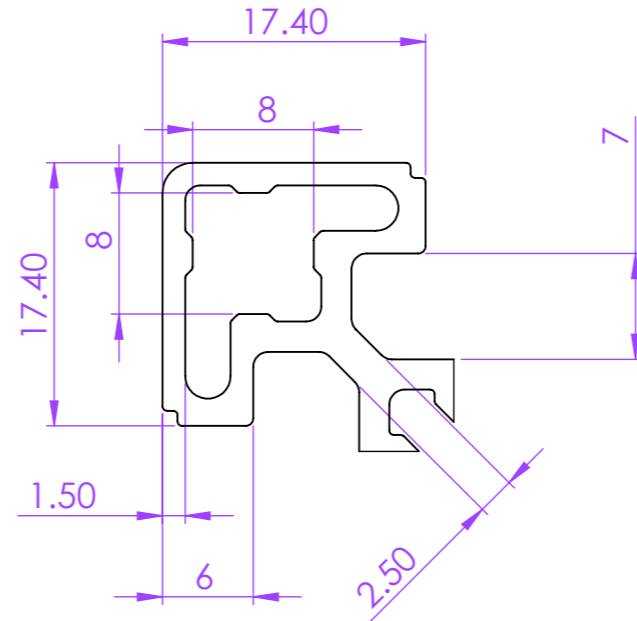
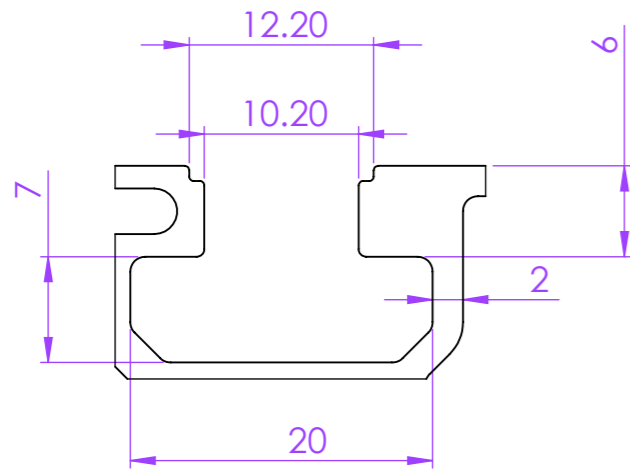
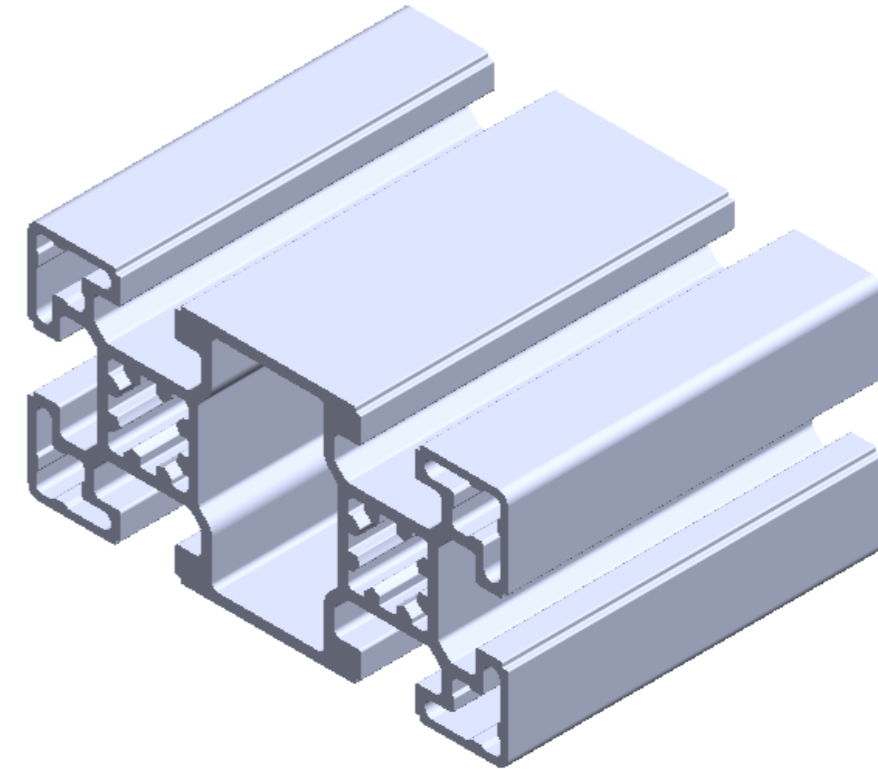
DRG. NO.	4468	MATERIAL	ALUMINIUM ALLOY 6063 T6
APPROX. WT.	1.710 kg/mtr	REVISION	

MODULAR ASSEMBLY SYSTEM	MODULAR CONVEYOR SYSTEM	ERGONOMIC WORKSTATION AND LEAN PRODUCTION SYSTEM	MACHINE GUARD AND ENCLOUSURE SYSTEM	LINEAR MOTION SYSTEM	CLEAN ROOM SYSTEM
--------------------------------	--------------------------------	---	--	-----------------------------	--------------------------

Profile Group - 45 Series

Part Code - PG 4590

Description - PG 45 - 45 x 90 6 slots



ALL DIMENSIONS ARE IN MM



SICA INDIA
www.sica.in

DATE	31-05-2014
DRAWN BY	Praful
CHECKED BY	

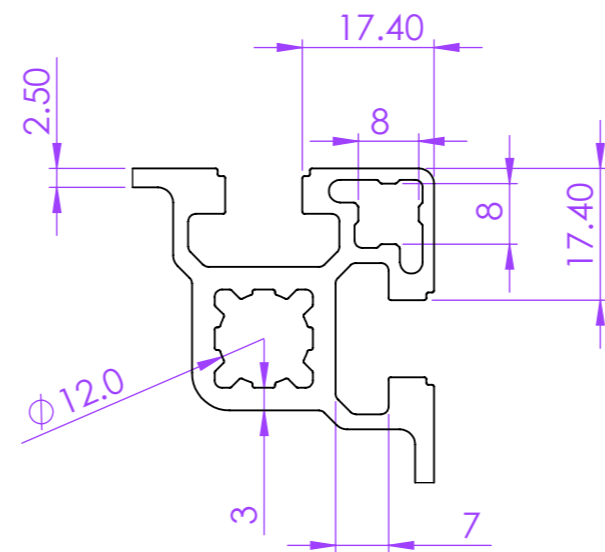
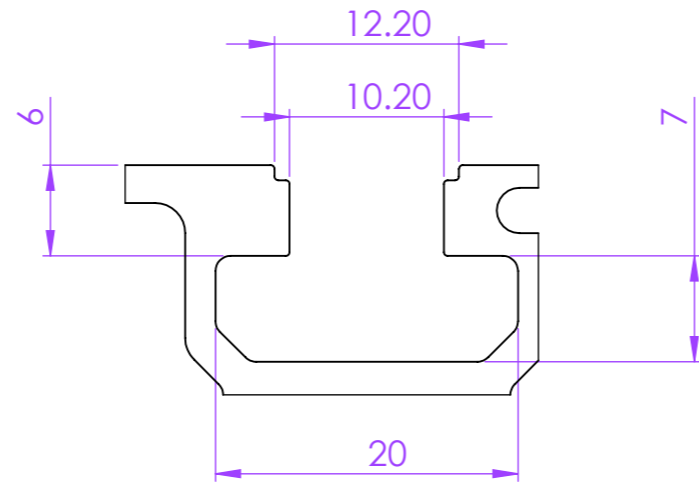
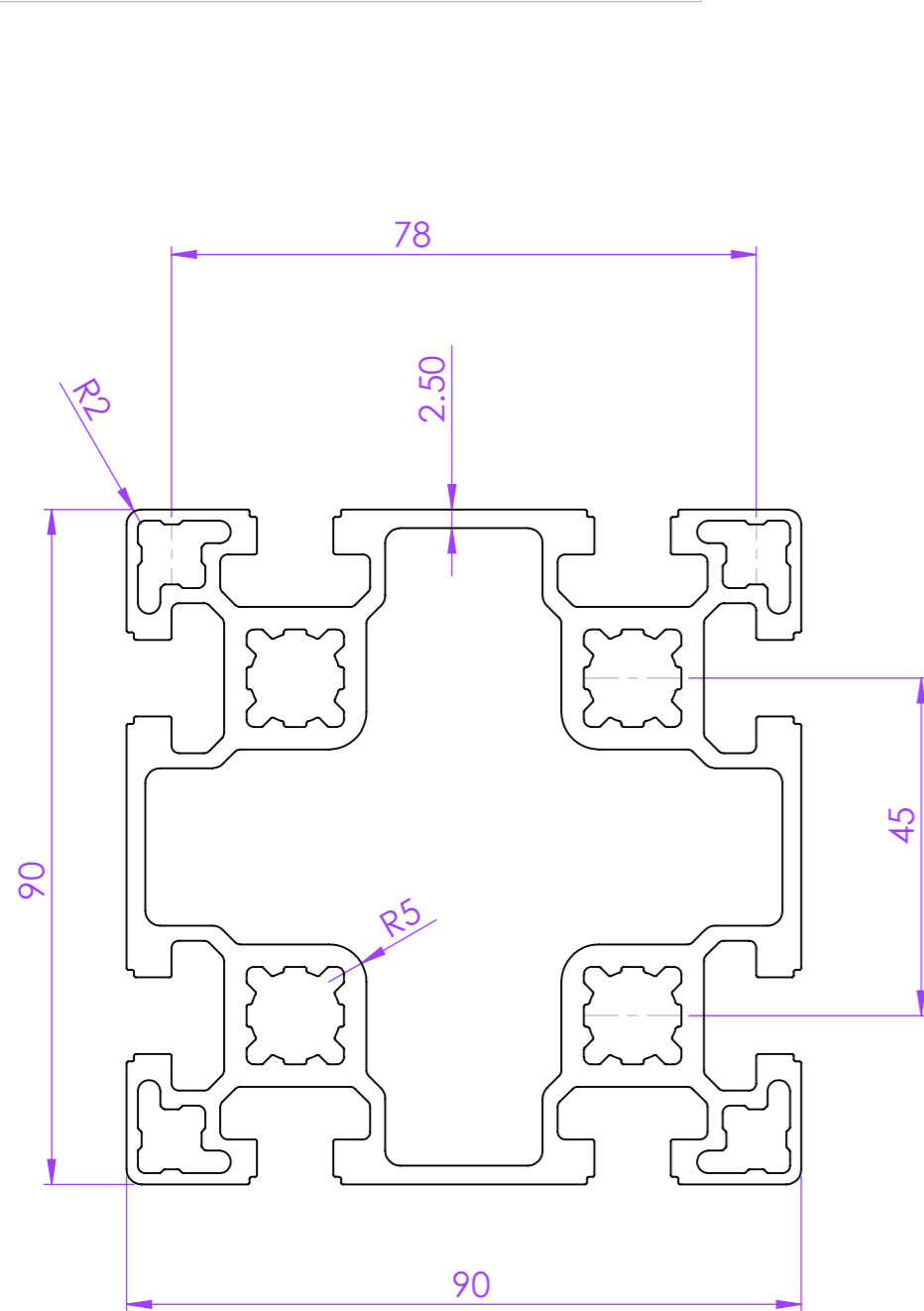
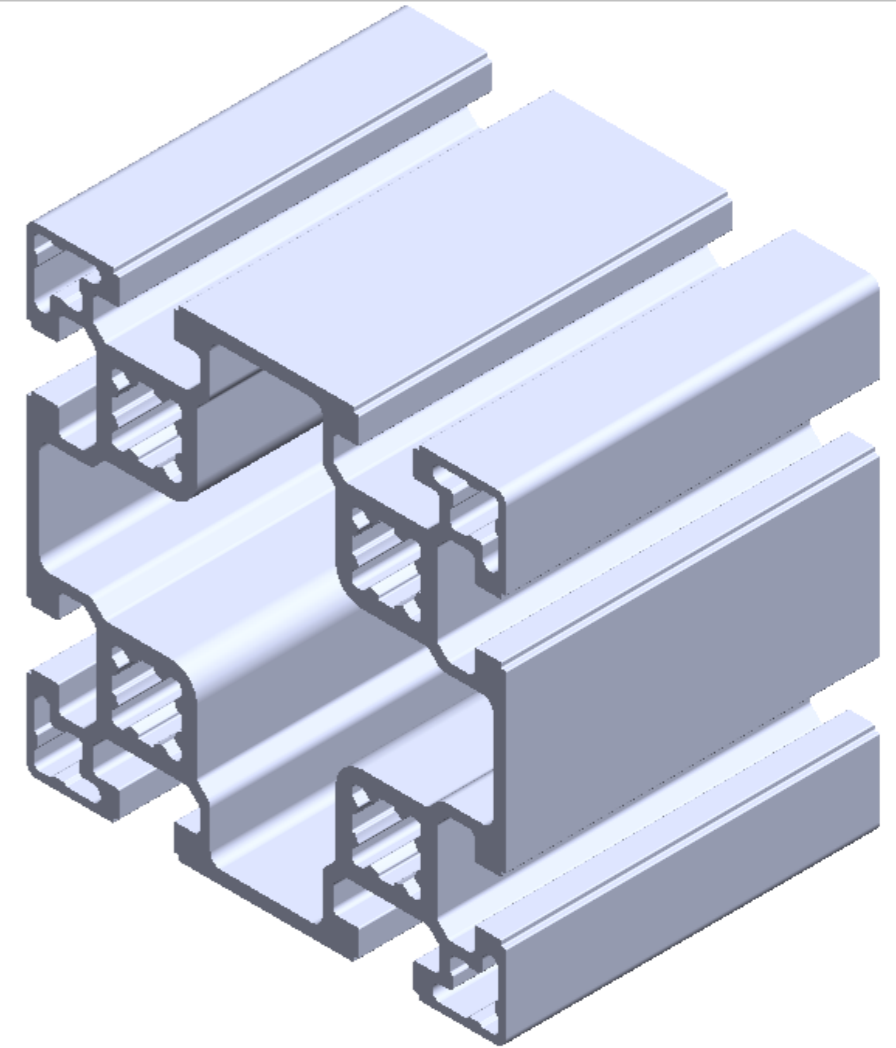
PART NAME PG 4590

DRG. NO.	4469	MATERIAL	ALUMINIUM ALLOY 6063 T6
APPROX. WT.	3.035 kg/mtr	REVISION	

MODULAR ASSEMBLY SYSTEM	MODULAR CONVEYOR SYSTEM	ERGONOMIC WORKSTATION AND LEAN PRODUCTION SYSTEM	MACHINE GUARD AND ENCLOUSURE SYSTEM
-------------------------	-------------------------	--	-------------------------------------

LINEAR MOTION SYSTEM	CLEAN ROOM SYSTEM
----------------------	-------------------

Profile Group -	45 Series
Part Code -	PG45 9090
Description -	PG 45 - 90 x 90 8 slots



ALL DIMENSIONS ARE IN MM



SICA INDIA
www.sica.in

DATE	31-05-2015
DRAWN BY	Praful
CHECKED BY	

PART NAME PG45 9090

DRG. NO. 4470	MATERIAL ALUMINIUM ALLOY 6063 T6
APPROX. WT. 5.410 kg/mtr	REVISION

MODULAR ASSEMBLY SYSTEM	MODULAR CONVEYOR SYSTEM	ERGONOMIC WORKSTATION AND LEAN PRODUCTION SYSTEM	MACHINE GUARD AND ENCLOUSURE SYSTEM	LINEAR MOTION SYSTEM	CLEAN ROOM SYSTEM
--------------------------------	--------------------------------	---	--	-----------------------------	--------------------------