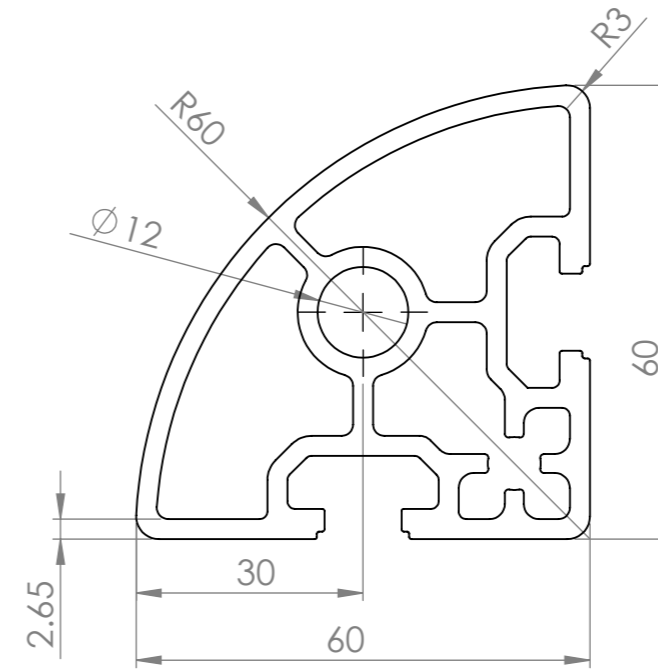
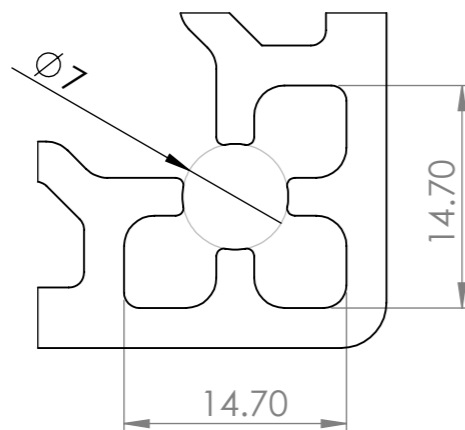
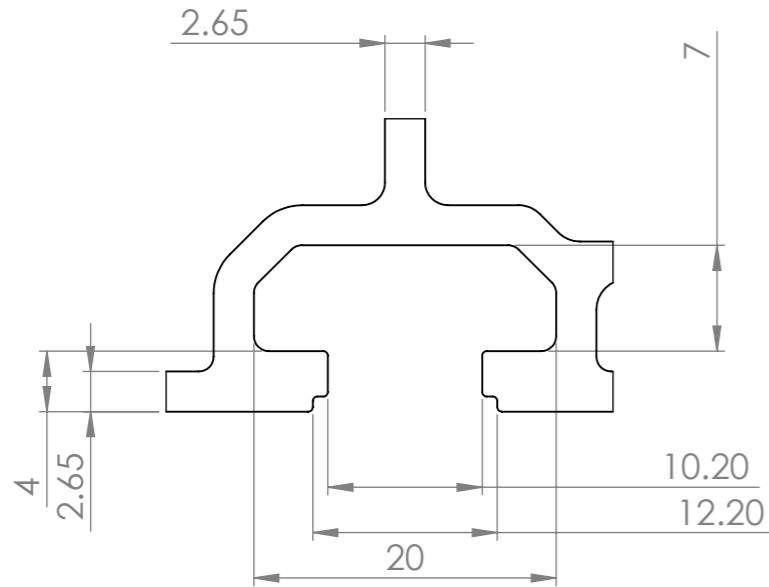
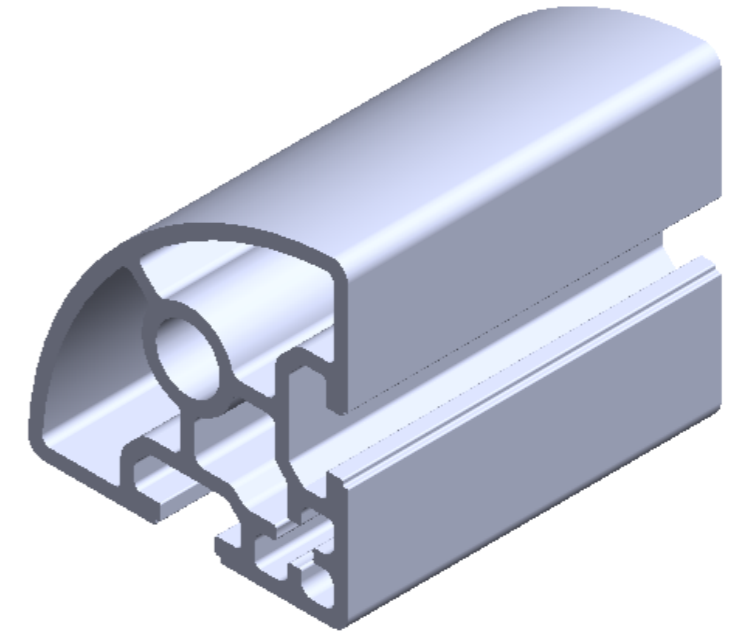


Profile Group - 60 Series

Part Code - PG60 6060 R

Description - PG 60 - 60 x 60
2 slots



ALL DIMENSIONS
ARE IN MM



SICA INDIA
www.sica.in

DATE 08-04-2013
DRAWN BY Praful
CHECKED BY

PART NAME PG60 6060 R

MODULAR ASSEMBLY SYSTEM	MODULAR CONVEYOR SYSTEM	ERGONOMIC WORKSTATION AND LEAN PRODUCTION SYSTEM	MACHINE GUARD AND ENCLOUSURE SYSTEM
-------------------------	-------------------------	--	-------------------------------------

LINEAR MOTION SYSTEM	CLEAN ROOM SYSTEM
----------------------	-------------------

DRG. NO. 4449	MATERIAL ALUMINIUM ALLOY 6063 T6
APPROX. WT. 2.535	REVISION